

EL100 Series

10/100BASE-TX to 100BASE-FX Media Converter



Overview

The EL100 Series provide media conversion between 10/100BASE-T(X) and 100BASE-FX Fiber. Easy plug-and-play design facilitates network infrastructure construction. Through DIP switch selection, Link-Fault-Pass-Through (LFPT) function can be active or disabled. The EL100 series is designed for SC or ST fiber connection applications. The commercial grade media converter supports EtherWAN EMC1600 chassis system for easy group installation. The EL100 is the ideal media converter for enterprise environments.

EtherWAN – "When Connectivity is Crucial".

Spotlight

- **SC and ST Media Converter**
 - Supports multi-mode and single mode fiber line with SC and ST fiber port
- **DIP Switch Configurable**
 - Link-fault-pass-through enable or disable
 - Full-duplex or half-duplex of Ethernet port enable or disable
 - Full-duplex or half-duplex of fiber port enable or disable
- **Link-Fault-Pass-Through (LFPT)**
 - LFPT function let network operators be aware of network connection status
 - When fiber link is down, LFPT function will turn down Ethernet port to inform connected device that the link is down and vice versa

Hardware Specifications

Technology

Standards

- IEEE 802.3 10BASE-T
- IEEE 802.3u 100BASE-TX/FX
- IEEE 802.3x full duplex and flow control

Forward and Filtering Rate

- 14,880pps for 10Mbps
- 148,810pps for 100Mbps

Packet Buffer Memory

- 128K bits

Processing Type

- Store-and-forward
- Half-duplex back-pressure and IEEE 802.3x full-duplex flow control
- Auto-MDI/MDIX

Power

Input

- 12VDC

Power Consumption

- 1.92W Max. 0.16A@12VDC

Mechanical

Casing

- Aluminum Case

Dimensions

- 80.3 x 109.2 x 23.8mm (W x D x H)
(3.16" x 4.30" x 0.94")

Weight

- 150g (0.33lb.)

Installation

- Wall mounting or use with EMC1600 media converter chassis system

Interface

Ethernet Port

- 10/100BASE-TX: 1 port
- 100BASE-FX: 1 port

LED Indicators

- Per Unit: Power Status (Power)
- Per Port: 10/100TX: Link/Activity, Full-duplex/Collision, Speed
- Per Port 100FX: Link/Activity, Full-duplex/Collision

Environment

Operating Temperature

- 0 to 45°C (32 to 113°F)

Storage Temperature

- -10 to 70°C (14 to 158°F)

Ambient Relative Humidity

- 5% to 95% (non-condensing)

Regulatory Approvals

ISO

- Manufactured in an ISO 9001 facility

Safety

UL 60950-1

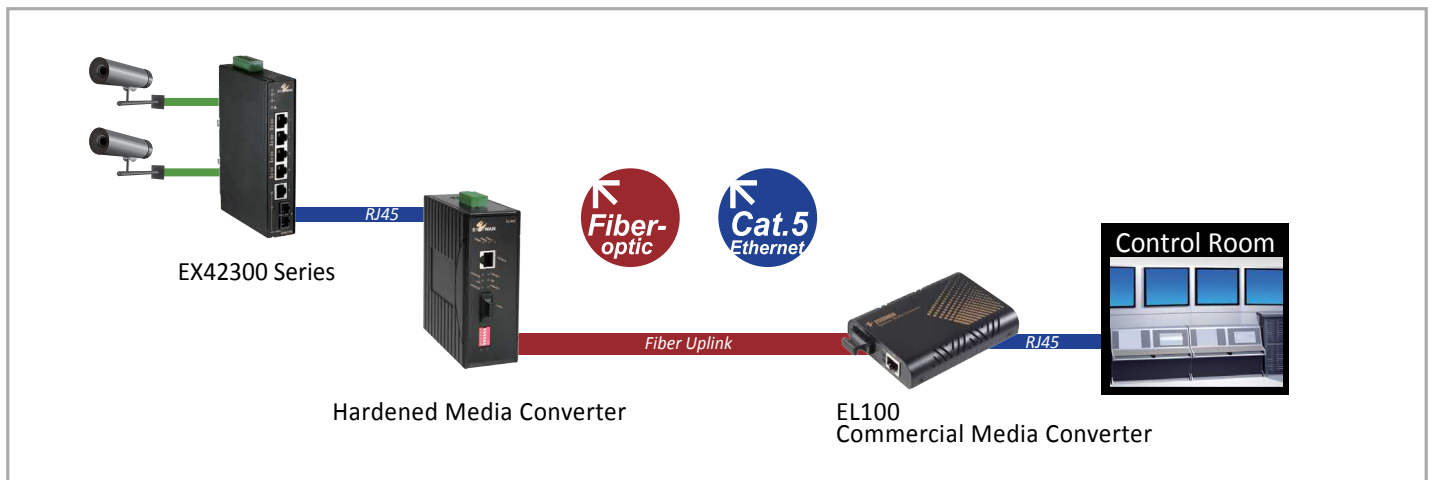
Emission Compliance

CE Mark Class A

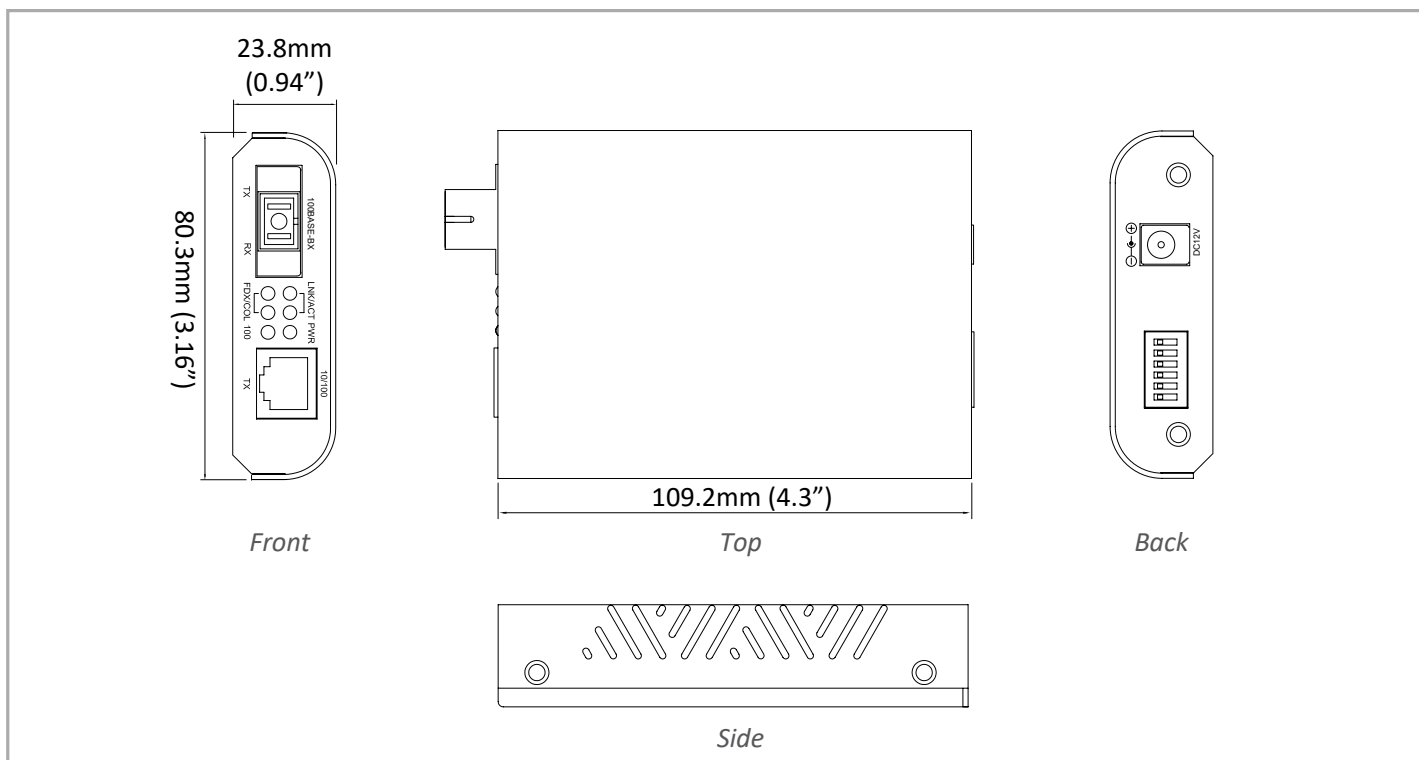
FCC Part 15B Class A

VCCI Class A

Application Diagram



Dimensions



Ordering Information

Model

EL100C	10/100BASE-TX to 100BASE-FX Multi Mode (SC) 2Km Media Converter (1310nm, 62.5/125 and 50/125mm)
EL100T	10/100BASE-TX to 100BASE-FX Multi Mode (ST) 2Km Media Converter (1310nm, 62.5/125 and 50/125mm)
EL100C-20	10/100BASE-TX to 100BASE-FX Single Mode (SC) - 20Km Media Converter (1310nm)
EL100T-20	10/100BASE-TX to 100BASE-FX Single Mode (ST) - 20Km Media Converter (1310nm)
EL100L-20	10/100BASE-TX to 100BASE-FX Single Mode (SFF Dual LC) - 20Km Media Converter (1310nm)
EL100C-40	10/100BASE-TX to 100BASE-FX Single Mode (SC) - 40Km Media Converter (1310nm)

NOTES :

- * EMC1600, proprietary 19" chassis system, can house up to 16 x EL100 Series Converters.
- * EMC1600 Chassis System is available separately.
- * More 100FX fiber options are also available upon request.